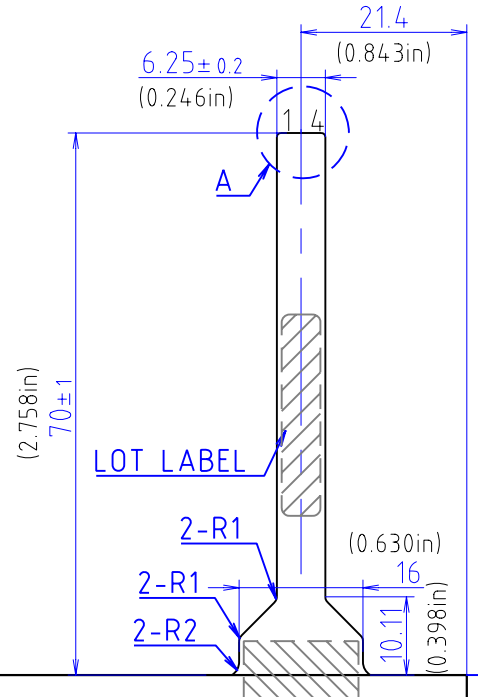
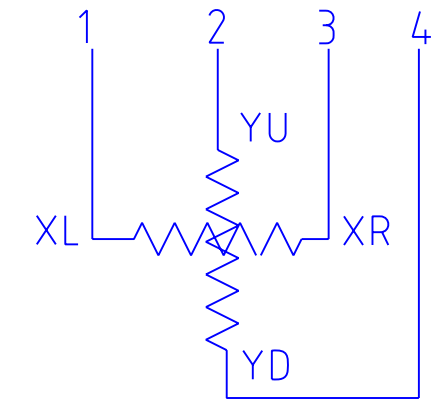
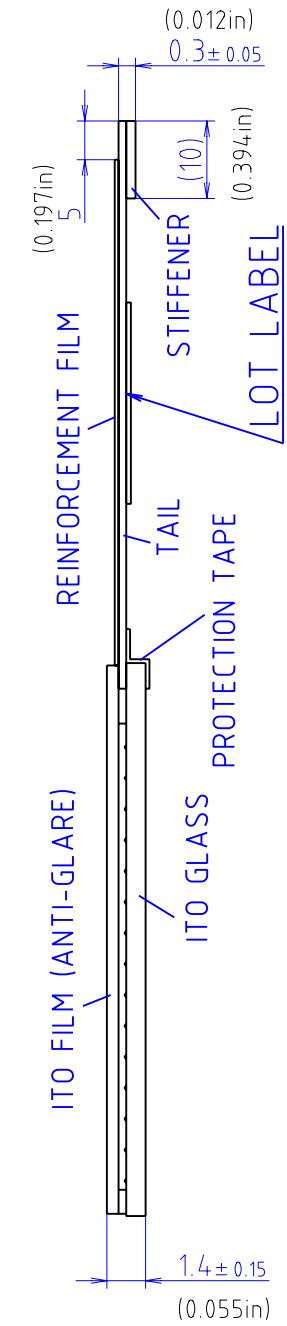


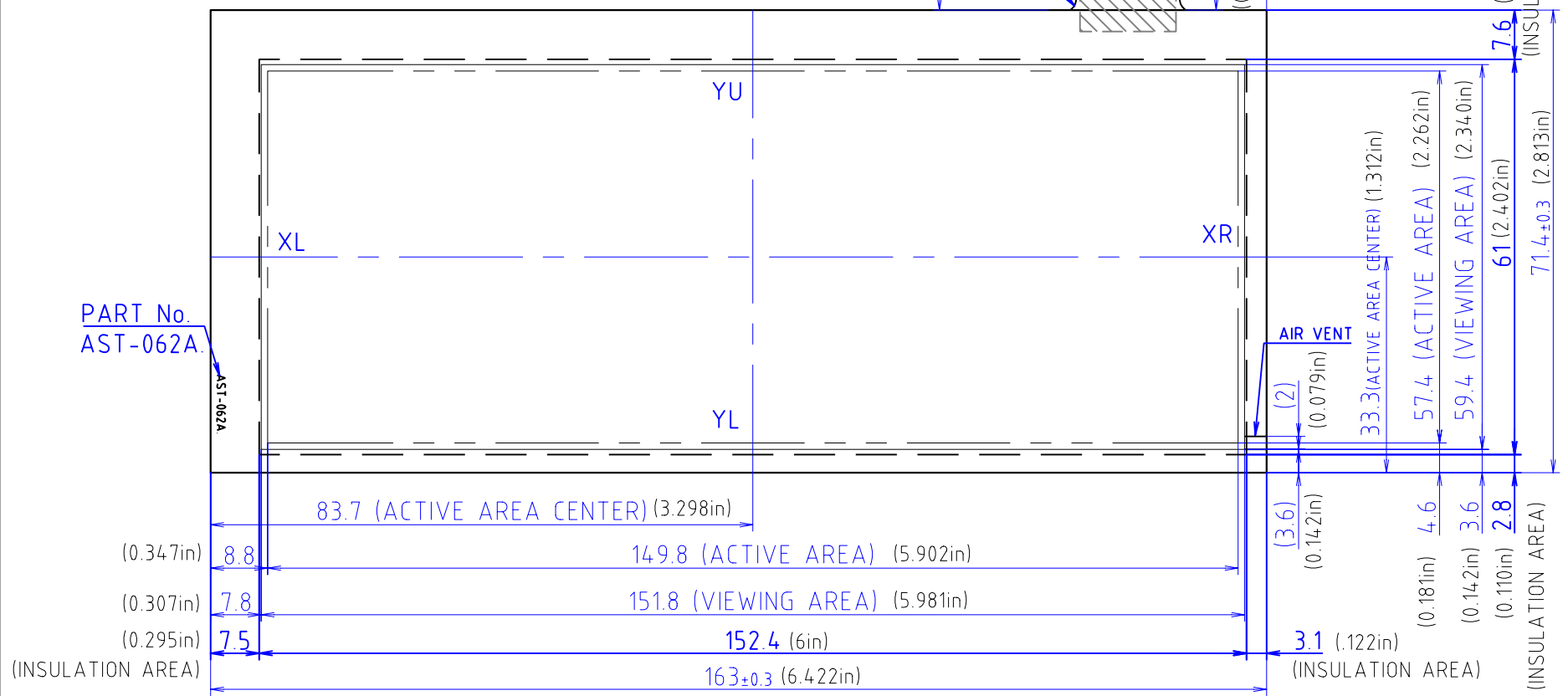
SECTION A



LOT LABEL



PIN ASSIGNMENT



PART No.
AST-062A

TOLERANCE = ± 0.5mm (0.02in)
EXCEPT WHERE INDICATED
UNIT = mm (inch)

PART No.	DATE
AST-062A070A	July 9, 2007
TYPE	DMC Co., Ltd.
STANDARD TOUCHSCREEN DIMENSIONAL DRAWING	