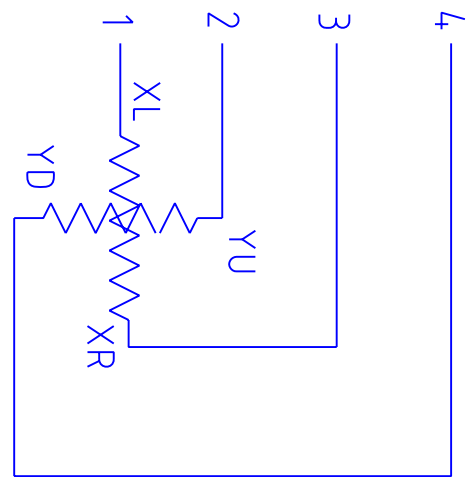
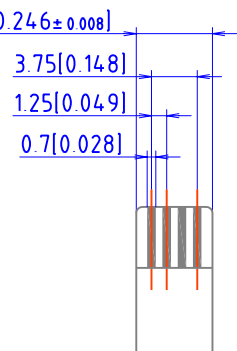


PIN ASSIGNMENT



SECTION A



TOLERANCE = ± 0.5mm(0.02in)
EXCEPT WHERE INDICATED
UNIT =mm(inch)

1	ITO FILM (ANTI GLARE)
2	ITO GLASS
3	TAIL
4	REINFORCEMENT FILM
5	STIFFENER
6	PROTECTION TAPE

PART No.	AST-070A080A	DATE	Dec , 07 , 2009
TYPE	STANDARD TOUCHSCREEN		
	CIRCUIT DRAWING		DMC Co., Ltd.