

MESSRS :

---

## PRODUCT DRAWING

---

CUSTOMER'S PRODUCT NAME:

---

TDK PRODUCT NAME: DC/AC INVERTER UNIT  
CXA-0214

---



TDK Corporation

Corporate Headquarters  
13-1, Nihonbashi 1-chome, Chuo-ku,  
Tokyo 103, JAPAN  
Telephone : 03-3278-5111  
2-15-7, Higashi-Ohwada, Ichikawa-shi,  
Chiba, 272-8558 JAPAN  
Telephone : 047-378-9671  
Fax : 047-378-9673

PREPARED BY	APPROVED BY	AUTHORIZED BY
<i>Mar. 19, 2003 E.Takahashi</i>	<i>Mar. 19, 2003 R.Kimura</i>	<i>Mar. 19, 2003 M.Yamada</i>

DWG.No.	CTR-0927-A
---------	------------

## Precautionary Notes Regarding the Use of This Inverter

**When using this product, give due consideration to the precautionary notes described below and ensure a safe design. Inappropriate use may result in electric shock, injury or fire.**



### Warning



- This product is subject to high voltage. Do not touch it while the power is on. Failing to do so may result in electric shock.



### Caution

- This product is designed for the lighting of a Cold Cathode Fluorescent Lamp. Do not use it with any other load.
- Store this product under the conditions defined in the specification document.
- Do not store this product in an environment where dust, dirt or corrosive gas (saline, acid, alkali, etc.) is present.
- This product is subject to high voltage. If there is a possibility that the user may touch the product, provide a proper indication in order to draw the user's attention.
- This product is designed for use with general electronic equipment. If it is to be used with medical equipment that directly affects human life or for the control of transportation equipment to which passengers entrust their lives, provide thorough fail-safe measures.
- Avoid using this product under high temperatures or high humidity or in an environment in which dust, dirt or any corrosive gas (saline, acid, alkali, etc.) is present. Also, be careful not to allow the formation of dew condensation. It may result in damage or electric shock.
- If the product does not have a built-in protective circuit (circuit breaker, fuse, etc.), it is recommended that a fuse be used at the input stage to prevent the generation of smoke or fire in the event of a malfunction. Even when the product has a built-in protective circuit (circuit breaker, fuse, etc.), the circuit may not function properly due to inappropriate operating conditions or power-supply capacity. It is recommended that an appropriate protective circuit be provided separately from the built-in circuit.
- Use the product only within the specified input voltage, output power, output voltage and operating temperature ranges. Exceeding these values may result in damage, etc.
- Provide a measure for the prevention of surge voltage due to lightning, etc. Abnormal voltage may result in damage, etc.
- To prevent problems arising from short-circuiting of the high-voltage section, provide appropriate measures to prevent the entry of foreign substances following installation.
- This product is not designed to provide resistance to radiation.

### Handling Precautions

- This product uses thin wires. Observe the following precautions and handle it with care so as not to cause wire breakage. Broken wire may result in damage, etc.
  - Do not stack multiple products on top of one another.
  - Do not allow the product to come in contact with tools, etc.
- Do not apply excessive stress during installation. It may cause chipping and cracking, resulting in damage, etc.
- Provide a clearance of 2 mm or more between the high-voltage section of this product and the frame body on which the product is installed and also the conductor section (pattern , pad etc. ).

PRODUCT NAME or MODEL, TITLE			
DC-AC INVERTER CXA-0214			
TDK CORPORATION	NAME OF DRAWING	DRAWING No.	PAGE
	PRODUCT DRAWING	CTR-0927-A	1

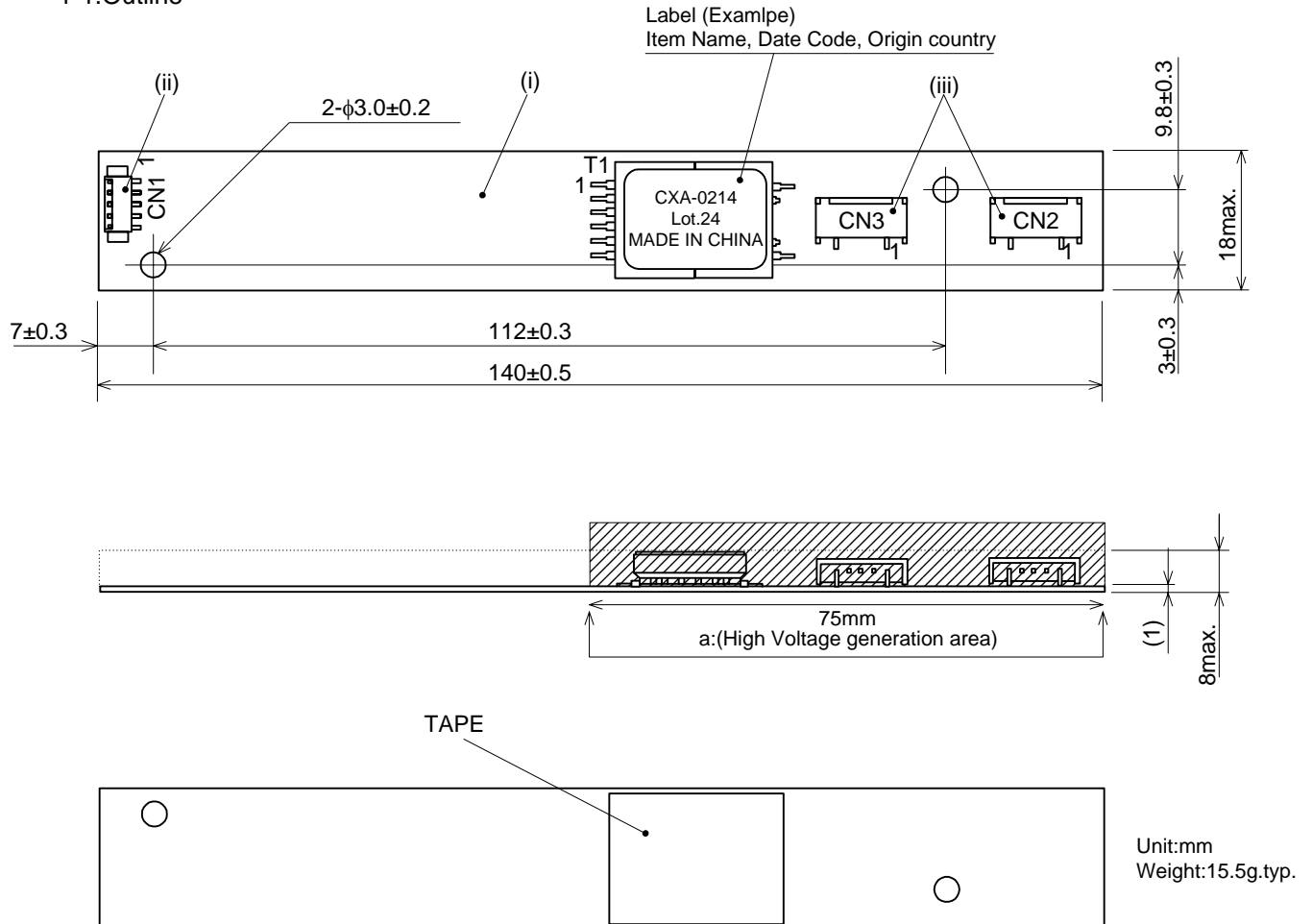
- The specifications may be changed without any notice.
- When placing orders, please confirm "Specifications" or "Product Drawing" through TDK sales or distributors.

•Features•

- This inverter is for two lamps. It has Dimming function and Remote function.

[1]Outline

1-1.Outline



No.	Part Description	Material	QU	REMARK	MATES WITH
(i)	PCB	Composite (CEM-3)	1	UL94V-0 t=1.0	-
(ii)	Input Connector CN1	53261-0510	1	MOLEX	51021-0500
(iii)	Output Connector CN2,CN3	SM02(8.0)B-BHS-1	2	JST	BHR-03VS-1

PRODUCT NAME or MODEL, TITLE			
DC-AC INVERTER CXA-0214			
TDK CORPORATION	NAME OF DRAWING	DRAWING No.	PAGE
	PRODUCT DRAWING	CTR-0927-A	2

## 1-2.Connector Configuration

CN1 (INPUT)

Pin No.	Symbol	Rating	Notes
CN1-1	Vin	12V	Pin CN1-4 and CN1-5 should be connected through the variable resistor(Max. 50kΩ).
CN1-2	GND	0V	
CN1-3	Vrmt	5V/0V (開放)	
CN1-4	VR	50kΩ	
CN1-5	VR	50kΩ	

CN2 (Output)

Pin No.	Symbol	Rating
CN2-1	VHIGH1	420Vrms
CN2-2	-	-
CN2-3	VLOW1	(2V)

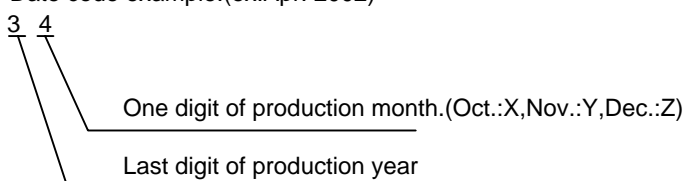
CN3 (Output)

Pin No.	Symbol	Rating
CN3-1	VHIGH2	420Vrms
CN3-2	-	-
CN3-3	VLOW2	(2V)

Note1-1. Marking of TDK part No., and date code.

TDK part No. and date code (2digits) is marked on the transformer(T1).

Date code example. (ex. Apr. 2002)



Note1-2. For circuit connection, please refer to test circuit diagram [4].

Note1-3. Please use minimum of 2mm clearance (all directions) between inverter high voltage area and any conductors. Please refer to mechanical drawing for marking of high voltage area.

Note1-4. Open voltage (strike voltage) is measured across the transformer secondary winding at no load as the reading at the output connector would be less than the actual value.

Note1-5. If the start up voltage falls below Cold Cathode Tube strike voltage, the CCFL will not light up easily specially at lower ambient temperature. Please review mounting instruction to avoid any abnormal operation due to coupling/leakage capacitance of inverter high voltage area to any surrounding conductor.

Note1-6. Please check your lamp characteristic for minimum operational current and set the limit point in your design to avoid flickering and/or abnormal operation.

Note1-7. For proper operation of circuit protection (fuse or IC PROTECTOR), Please use minimum of 2A capacity for input power supply.

PRODUCT NAME or MODEL, TITLE

DC-AC INVERTER CXA-0214

TDK CORPORATION

NAME OF DRAWING

PRODUCT DRAWING

DRAWING No.

CTR-0927-A

PAGE

3

[2] Absolute Maximum Ratings

Item	Symbol	Specification	Unit	Notes
Input Voltage	Vin	0~+14.4	V	
Load Resistance	RL1,2	70	kΩ	
Operating Temp. range	Ta	-10~+70	°C	
Storage Temp. range	Ts	-30~+85	°C	
Humidity range	RH	95	%RH	A maximum wet ball temperature is 38°C. No dew.

[3] Electrical specifications

Item	Symbol	Condition				Specification			Unit
		Vin(V)	VR(kΩ)	Ta(°C)	RL1=RL2=(kΩ)	MIN.	TYP.	MAX.	
Output Current (Brightness max)	Io1/2	9.6~14.4	50	0~60	50~70	5.3	6.0	6.7	mArms
		12±0.2	50	25±5	60±0.5	5.5	6.0	6.5	
Output Current (Brightness min)	Io1/2	9.6~14.4	0	0~60	180	1.7	2.0	2.3	
Input Current	Iin	9.6~14.4	50	0~60	50~70	-	0.47	0.75	A
Frequency	FL	9.6~14.4	50	0~60	50~70	33	39	45	kHz
Open Circuit Voltage	Vo	9.6~14.4	50	0~60	∞	1.4	1.5	-	kVrms

PRODUCT NAME or MODEL, TITLE

DC-AC INVERTER CXA-0214

TDK CORPORATION

NAME OF DRAWING

PRODUCT DRAWING

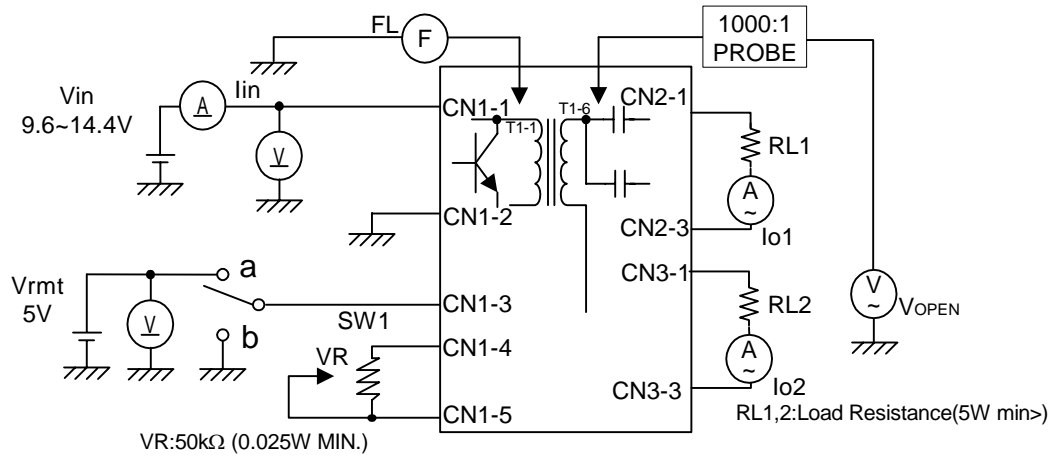
DRAWING No.

CTR-0927-A

PAGE

4

[4]Test Circuit



\*For the number of the component's position, please refer to Outline diagram [1].

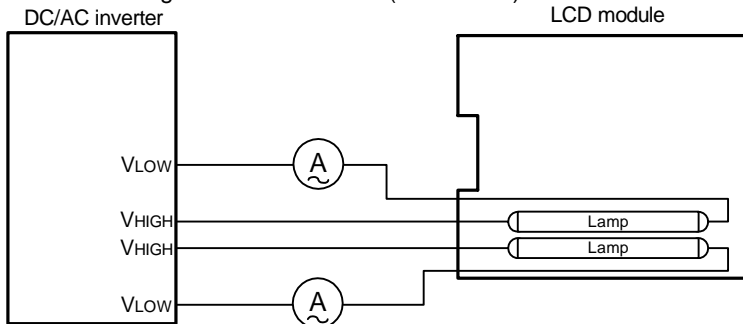
Note4-1.SW1(ON/OFF) Operation is as following;

SW	Operation of unit
ON	Operation
OFF	Non operation

Note4-2.Test Equipments

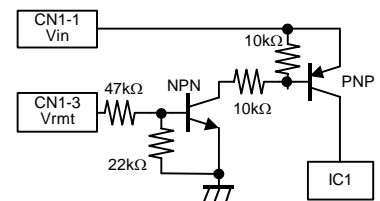
- (V) Digital Multiple Meter(ADVANTEST R6451A or equivalent)
- (A) DC Current Meter(ADVANTEST R6451A or equivalent)
- (F) Frequency Countor(ADVANTEST R6451A or equivalent)
- (V) True RMS Meter(KEITHLEY 2001 or equivalent.)
- (A) High Frequency Current Meter(KEITHLEY 2001 or equivalent)
- 1000:1 High Voltage Probe(Tektronix P3000 or equivalent)

Connection diagram of LCD module (Reference)



\*Connect the High Frequency Current Meter to the Low-Voltage (VLow) side.

Remote terminal circuit (Reference)



PRODUCT NAME or MODEL, TITLE

DC-AC INVERTER CXA-0214

TDK CORPORATION

NAME OF DRAWING

PRODUCT DRAWING

DRAWING No.

CTR-0927-A

PAGE

5

[5]Reliability Test

Following test items are assured.

Item	Condition	Judgement
Low Temp.Non operational	-30°C 500h	Electrical and apperance should be in the spec.
Low Temp.operational	-0°C 500h	
High Temp.Non operational	85°C 500h	
High Temp.operational	70°C 500h	
Heat shock	-30°C←→70°C 30min.Each 100 Cycles	
Humidity (Non operational)	60°C 90~95%RH 500h	
Vibration	10~57Hz Amplitude0.75mm 58~500Hz 1G Sweep:11min 60min each axis X,Y,Z 3hours	
Shock	100G 11ms Harf-sine pulse 1 time each axis ±X,Y,Z total 6 times	

PRODUCT NAME or MODEL,TITLE

DC-AC INVERTER CXA-0214

TDK CORPORATION

NAME OF DRAWING

PRODUCT DRAWING

DRAWING No.

CTR-0927-A

PAGE

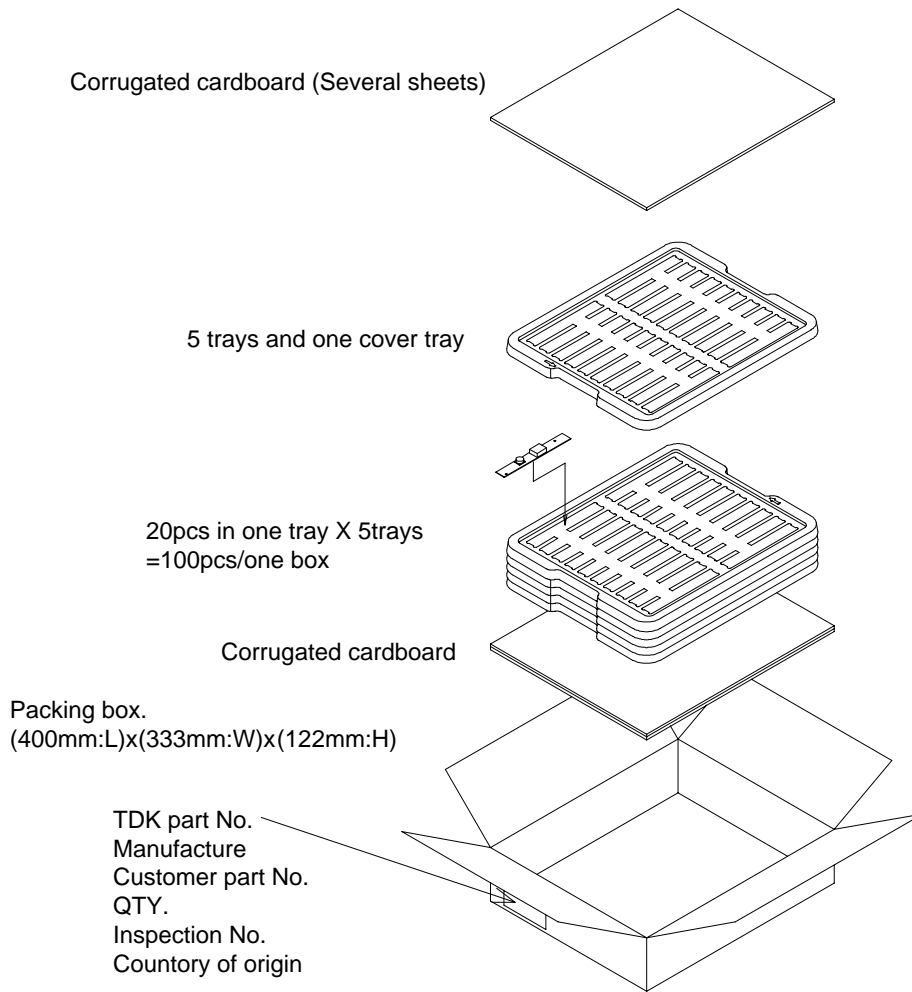
6

[6]Packing and Marking

A shipping box is packaged to avoid from water or damage. Following items are printed on the box.

- 6-1. TDK part No. CXA-0214
- 6-2. Manufacture TDK
- 6-3. Customer part No.
- 6-4. QTY.
- 6-5. Inspection No.
- 6-6. Country of origin

Packing style as under Fig. (100 going in with a standard.)



[7]Others

7-1. Test Cond.

A normal test condition :Temperature(20±15°C)Humidity(65±20%RH)

7-2. Std Warrantry

One year after shipment.This covers detects in material or workmanship.  
Defects units will be replaces at no charge.

7-3. Others

TDK and customer are to discuss changes,problems,and modifications when needed.

	PRODUCT NAME or MODEL,TITLE		
	DC-AC INVERTER CXA-0214		
TDK CORPORATION	NAME OF DRAWING	DRAWING No.	PAGE
	PRODUCT DRAWING	CTR-0927-A	7