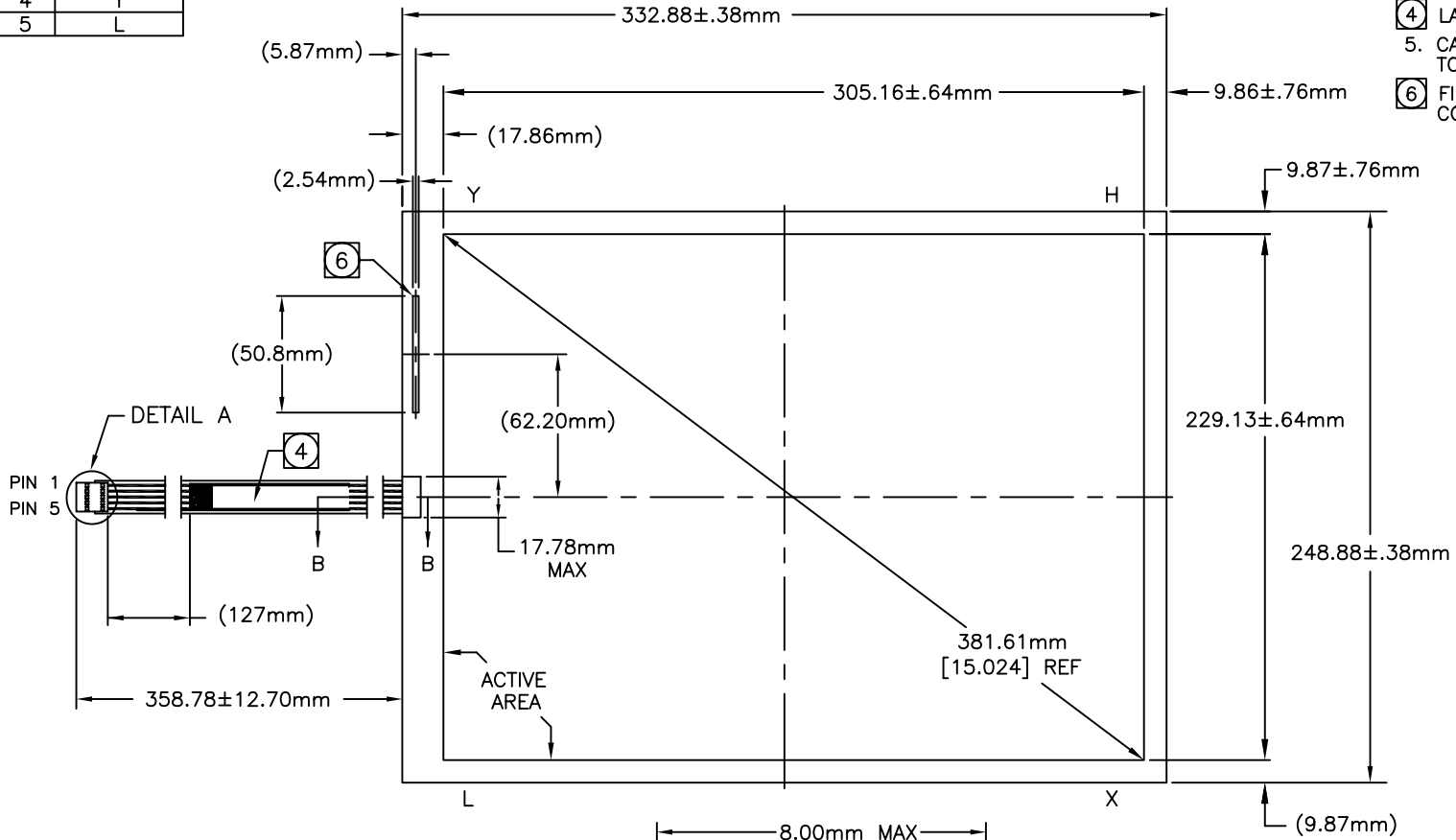


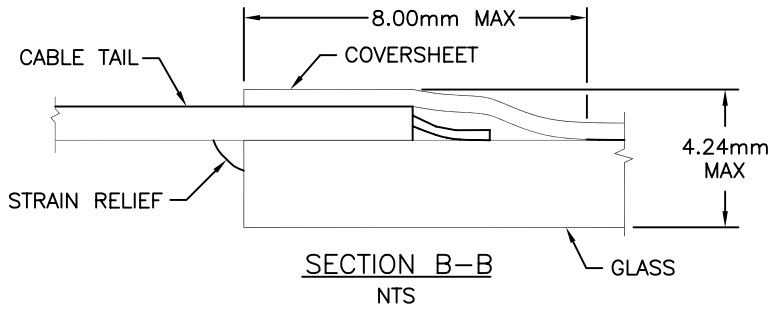
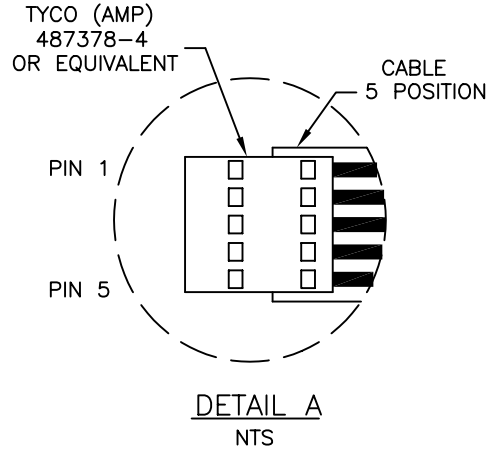
CONNECTOR PINOUT	
PIN NO.	DESIGNATION
1	H
2	X
3	S
4	Y
5	L

ACCUTOUCH® TOUCHSCREEN
 SCN-A5-FLT15.0-Z05-OH1-R
 ELO P/N: E580514

- NOTES:
- GLASS THICKNESS 3.18mm NOMINAL.
 - FINISHED PART THICKNESS 3.48mm NOMINAL.
 - FINISHED PART THICKNESS AT CABLE ATTACHMENT AREA 4.24mm MAX.
 - ④** LABEL TO BE ATTACHED TO FRONT SIDE OF CABLE
 - CABLE IS ATTACHED TO THE LEFT SIDE OF TOUCHSCREEN AT CENTER POINT AS SHOWN.
 - ⑥** FINISHED PART THICKNESS AT THE COVERSHEET CONTACT 3.86mm MAX.



PIN 1
 PIN 5



UNLESS OTHERWISE SPECIFIED:
 DIMENSIONS ARE IN mm