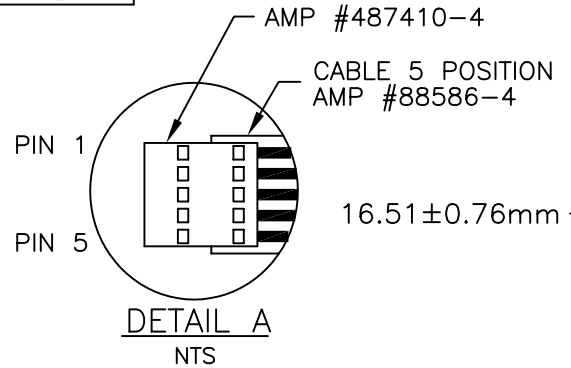


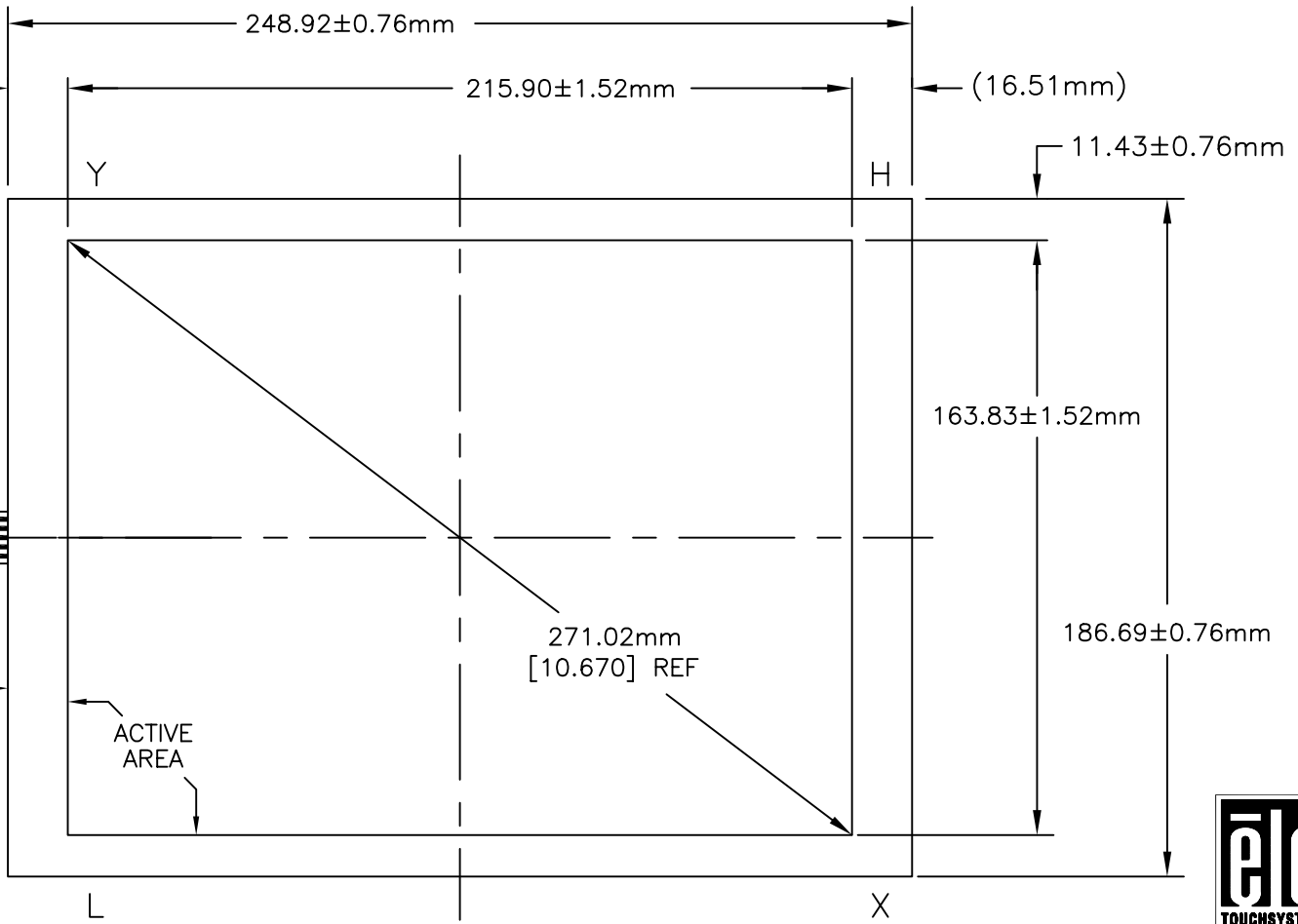
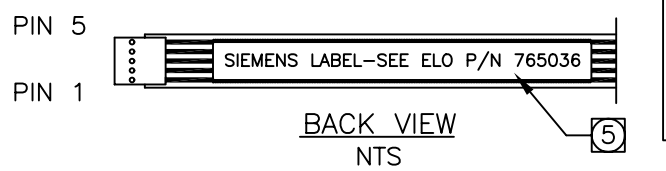
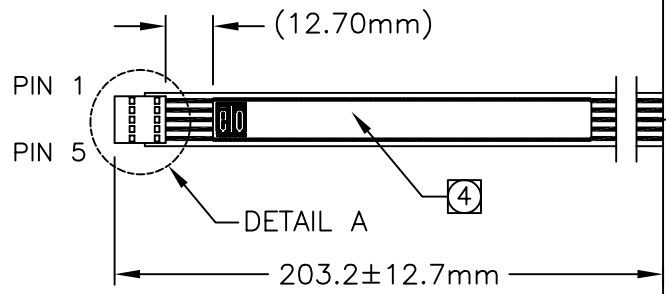
CONNECTOR PINOUT	
PIN NO.	DESIGNATION
1	H
2	X
3	S
4	Y
5	L

ACCUTOUCH® TOUCHSCREEN  
 SCN-A5-FLT10.4-0S1-0H1-R  
 ELO P/N: E942940

- NOTES:
- GLASS THICKNESS 2.36mm NOMINAL.
  - FINISHED PART THICKNESS 2.67mm NOMINAL.
  - FINISHED PART THICKNESS AT CABLE ATTACHMENT AREA 3.43mm MAX.
  - ELO LABEL TO BE ATTACHED TO FRONT SIDE OF CABLE.
  - SIEMENS LABEL (P/N 765036) TO BE ATTACHED TO BACK SIDE OF CABLE.



NOTES:  
 CABLE ATTACHED TO LEFT SIDE OF TOUCHSCREEN AT CENTER POINT AS SHOWN



UNLESS OTHERWISE SPECIFIED:  
 DIMENSIONS ARE IN mm

