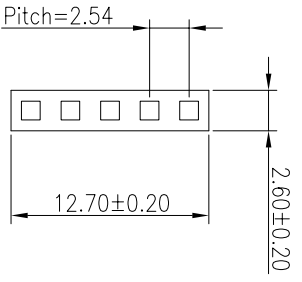
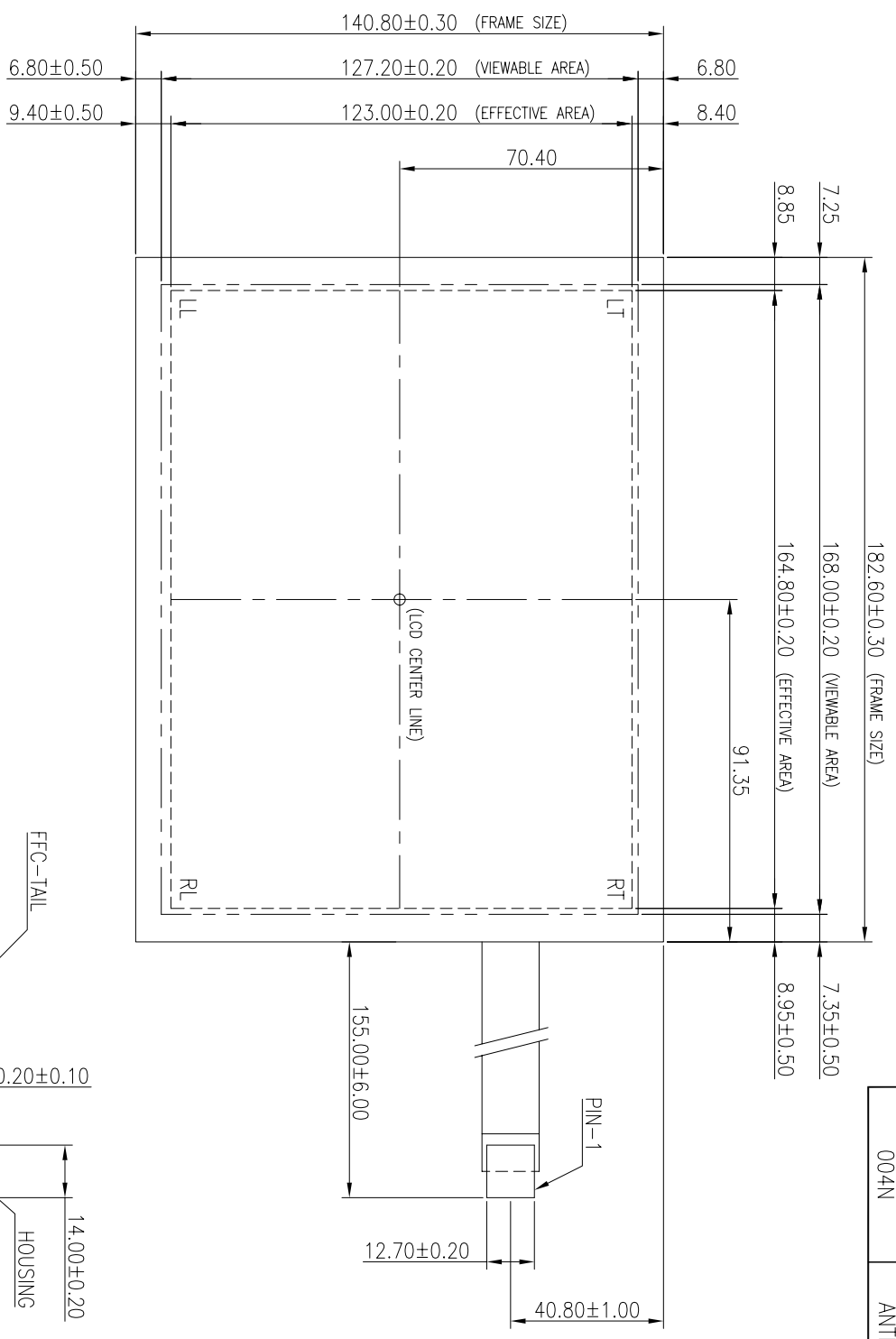
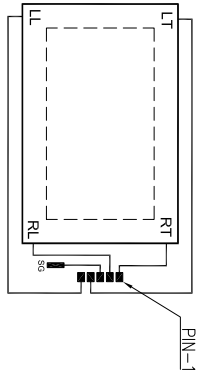


TOUCHSCREEN TABULATION	
PART NUMBER	TYPE
004G	CLEAR
004N	ANTI-GLARE

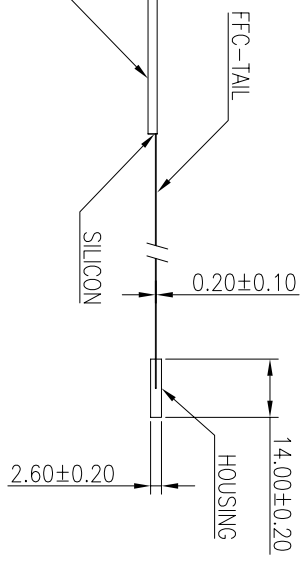


HOUSING

CONNECTOR	PINOUT
PIN NO.	DESIGNATION
1	RT
2	RL
3	SG
4	LT
5	LL



ITO GLASS : 182.60*140.80±0.30mm-FLAT-1.85T



DESCRIPTION	WD-TR5-26	DATE	MAY.07.2005	APPROVED		Rev.	A
MODEL	T080S-5RB004N-0A18R0-150FH	SCALE	-/-	DESIGN		Page	of
PART NO.		UNIT	mm.	DRAWING		B-Page	of